

The Design and Prototype Manufacture of a Planetary Gear Reducer

Tzu-Hsia Chen^{1,*}, Long-Chang Hsieh²

¹Department of Mechanical Engineering, Minghsin University of Science and Technology, Taiwan, ROC

²Department of Power Mechanical Engineering, National Formosa University, Yunlin, Taiwan, ROC

Received 02 May 2018; received in revised form 28 May 2018; accepted 05 August 2018

Abstract

The gear reducer of the power system can be ordinary spur gear reducer, worm and worm gear reducer, or planetary gear reducer. Due to the compact size, light weight, and multi-degrees of freedom; planetary gear reducers are commonly used in various transmissions. One of its applications is used as the gear reducer for industrial purpose. The reduction ratios of 1-stage planetary gear reducers are limited to 3 ~ 10. This paper focused on the design and prototype manufacture of a 1-stage planetary gear reducer. First, according to the concept of train value equation, the planetary gear reducer with reduction ratio 4 is proposed. Based on the involute theorem, the gear data of the planetary gear reducer are obtained. Finally, based on the results of kinematic design and meshing efficiency analysis, the integrated design of the planetary gear reducer was carried out and the prototype was manufactured to verify the design theorem. The results of this paper can be used as a reference for engineers to design the gear reducers for industrial purpose.

Keywords: engineering design, planetary gear reducer, prototype manufacture, train value equation

1. Introduction

Traditionally, the reduction ratio of an ordinary spurs gear pair, worm and worm gear pair, and 1-stage planetary gear train is limited to 4~7, 10~100, and 3 ~ 10, respectively. Figs. 1 (a)-(c) show the ordinary spur gear reducer, worm and worm gear reducer, and 1-stage planetary gear reducer, respectively. Due to the reason of the compact size, light weight, and multi-degrees of freedom; planetary gear reducers are commonly used in various transmissions. One of its applications is used as the gear reducer for industrial purpose.



Fig. 1 Gear reducers

In the past, planetary gear trains were the subjects of intensive researches directed at kinematic analysis [1-5], kinematic design [6-13], and meshing efficiency analysis [14-19]. The purpose of this paper is to propose a planetary gear reducer with reduction ratio $R_r=4$ for industry purpose. The results of this paper can be used as a reference for engineers to design all kinds of planetary gear reducers. The research result can also provide the application experiences for the transmission design practice course.

* Corresponding author. E-mail address: summer34134@gmail.com

Tel.: +886-3-559-3142 ext. 3023; Fax: +886-3-557-3797

2. Train Value Equation

For a planetary gear train, shown in Fig. 2, we denoted the first sun gear as i , the last sun gear as j , and the carrier (arm) as k , respectively. The train circuit can be denoted as $(i, j; k)$; the relationship among ω_i , ω_j , and ω_k can be expressed as:

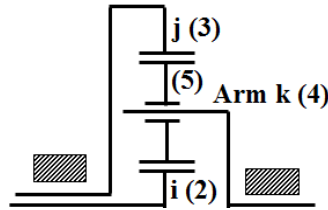


Fig. 2 Planetary gear train

$$\omega_i - \xi_{ji}\omega_j + (\xi_{ji} - 1)\omega_k = 0 \tag{1}$$

Here ξ_{ji} is the train value of sun gear j to sun gear i . The sum of the coefficients of Eq. (1) is equal to 0, i.e., $1 - \xi_{ji} + (\xi_{ji} - 1) = 0$.

For a planetary gear train with the single train circuit, there are three members (i, j , and k) can be adjacent to input shaft, output shaft, and frame. If sun gear j is adjacent to the frame ($\omega_j=0$), and sun gear i is adjacent to the input shaft ($\omega_i=\omega_{in}$), and carrier k is adjacent to the output shaft ($\omega_k=\omega_{out}$), according to Eq. (1), its reduction ratio (R_r) can be written as:

$$R_r = \frac{\omega_{in}}{\omega_{out}} = \frac{\omega_i}{\omega_k} = \frac{(\xi_{ji} - 1)}{1} = -(\xi_{ji} - 1) \tag{2}$$

For a planetary gear train with $\xi_{ji} < 0$, the reduction ratio $R_r > 1$. For the planetary gear reducer shown in Fig. 3, let $Z_2=24$, $Z_5=24$, and $Z_3=72$, then there is the train value $\xi_{32}=-3$. Since the sun gear 3 is adjacent to the frame ($\omega_3=0$), and the sun gear 2 is adjacent to the input shaft ($\omega_2=\omega_{in}$); the carrier 4 is adjacent to the output shaft ($\omega_4=\omega_{out}$), according to Eq. (2), its reduction ratio $R_r = 4$.

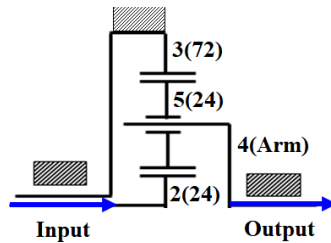


Fig. 3 Planetary gear reducer with reduction ratio $R_r = 4$

3. Latent Power Theorem and Meshing Efficiency

For a planetary gear train with sun gear i , ring gear j , and carrier k . T_i , T_j and T_k are the torques of members i, j and k , respectively. Since they rotate around the same axis, and according to the torque balance, we have:

$$T_i + T_j + T_k = 0 \tag{3}$$

Furthermore, the latent powers of sun gear i and sun gear j relative to carrier k (P_i^k and P_j^k) are defined as :

$$P_i^k = T_i \times (\omega_i - \omega_k) \tag{4}$$

$$P_j^k = T_j \times (\omega_j - \omega_k) \tag{5}$$

η_{ij}^k (η_{ji}^k) is the meshing efficiency of planetary gear train; if the latent power is transmitted from sun gear i (sun gear j) to sun gear j (sun gear i), when carrier k is relatively fixed. Based on the concept of latent power [14-19], the relationship between P_i^k and P_j^k can be expressed as:

$$-P_j^k = P_i^k \times \eta_{ij}^k \text{ for } P_i^k \geq 0 \text{ and } P_j^k \leq 0 \quad (6)$$

$$-P_i^k = P_j^k \times \eta_{ji}^k \text{ for } P_i^k \leq 0 \text{ and } P_j^k \geq 0 \quad (7)$$

The meshing efficiency of the planetary gear train is defined as the ratio of output power to input power, i.e.,

$$\eta_{m(PGT)} = -\frac{P_{out}}{P_{in}} \quad (8)$$

According to Eqs. (3) ~ (8), the meshing efficiency of planetary gear reducer can be expressed as follows:

$$\eta_{m(PGT)} = \frac{(1 - \xi_{ji} \eta_{ij}^k)}{(1 - \xi_{ji})} \quad (9)$$

where η_{ij}^k (η_{ji}^k) is the meshing efficiency of planetary gear train; if the latent power is transmitted from sun gear i (sun gear j) to sun gear j (sun gear i) when carrier k is relatively fixed. The meshing efficiency of ordinary external gear pair ($\eta_{m(ex)}$) and internal gear pair ($\eta_{m(in)}$) can be expressed as [20-22]:

$$\eta_{m(ex)} = 1 - \frac{1 + 1/R_r}{\beta_{A1} + \beta_{R1}} \left[\frac{f_a}{2} \beta_{A1}^2 + \frac{f_r}{2} \beta_{R1}^2 \right] \quad (10)$$

$$\eta_{m(in)} = 1 - \frac{1 - 1/R_r}{\beta_{A1} + \beta_{R1}} \left[\frac{f_a}{2} \beta_{A1}^2 + \frac{f_r}{2} \beta_{R1}^2 \right] \quad (11)$$

where R_r is the reduction ratio of gear pair, β_{A1} and β_{A2} are the angles of approach of driving and driven gears, f_a and f_r are the average friction coefficient of approach and recess.

For external (internal) gear pair, the meshing efficiencies are between 99.2% ~ 99.6% (99.7% ~ 99.9%). For the planetary gear reducer in Fig. 3, if the meshing efficiencies of external and internal gear pairs are 0.994 and 0.998, then the meshing efficiency of η_{ij}^k is $\eta_{ij}^k = 0.994 \times 0.998 = 0.992$. Then, according to Eq. (9), the meshing efficiency of the planetary gear reducer is 99.4%. Based on the above results, we concluded that the meshing efficiencies of planetary gear reducers are very good.

4. Engineering Design and Prototype

In the following paragraph, the planetary gear reducer, shown in Fig. 3, is the example to illustrate how to design the planetary gear reducer. Table 1 shows some important gear data of this feasible design example.

Table 1 Gear data of the planetary gear reducer shown in Fig. 3

	External gear pair (2, 5)		Internal gear pair (5, 3)
	Sun gear 2	Planet gear 5	Ring gear 3
Teeth Number	24	24	72
Normal module (mm)	1.25	1.25	1.25
Helical Angle	0°	0°	0°
Shift Coefficient	0	0	0.3
Pitch Dia (mm)	30	30	90
Addendum Dia. (mm)	32.5	32.5	88.25
Base Dia. (mm)	28.19078	28.19078	84.57234
Center Distance (mm)	30.2		30.2
Pressure Angle (deg.)	21D 1M 4S		21D 1M 4S
Contact Ratio (Approach/ Recess)	1.44721 (0.72361 / 0.72361)		1.71049 (0.98689 / 0.72361)

According to the gear data in Table 1, the engineering design drawings shown in Figs. 4(a), 4(b), 4(c), and 4(d) are sun gear 2 ($Z_2=24$), planet gear 5 ($Z_5=24$), ring gear 3 ($Z_3=72$), and planetary gear set of planetary gear reducer. Figs. 4(e) and 4(f) show its corresponding 1/2 Section view and isometric view.

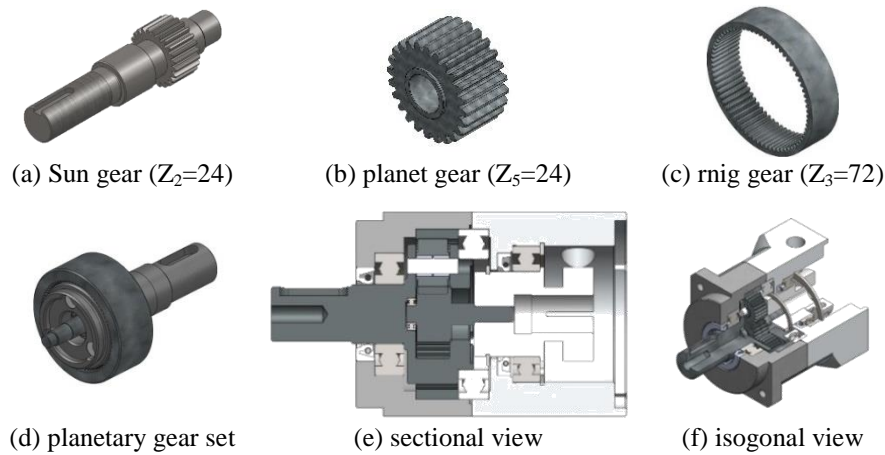


Fig. 4 Engineering drawing of planetary gear reducer

Figs. 5(a), 5(b), 5(c), and 5(d) show the corresponding prototype photo of sun gear 2 ($Z_2=24$), planet gear 5 ($Z_5=24$), ring gear 3 ($Z_3=72$), and planetary gear set of planetary gear reducer. Figs. 5(e) and 5(f) show its corresponding prototype photo of 1/2 Section view and isometric view.



Fig. 5 Prototype photos of planetary gear reducer

5. Conclusions

The reduction ratios of 1-stage planetary gear reducers are limited to 3 ~ 10. This paper focuses on the integrated design and prototype manufacture of the planetary gear reducer (with reduction ratio $R_r=4$) for industry purpose. According to the kinematic design, a planetary gear reducer with $R_r=4$ is synthesized. According to the latent power theorem, its corresponding meshing efficiency is calculated to be 99.4%. Finally, the engineering design of the planetary gear reducer is accomplished and its corresponding prototype is manufactured to verify the design theorem. The results of this paper can be used as reference for engineering to design the gear reducer for industrial purpose and will enhance the competitiveness of gear industrial.

Acknowledgements

The authors are grateful to the Ministry of Science and Technology of the Republic of China for the support of this research under MOST 106-2221-E-150-015.

Conflicts of Interest

The authors declare no conflict of interest.

References

- [1] L. W. Tsai, "An algorithm for the kinematic analysis of epicyclic gear trains," Proc. 9th Applied Mechanisms Conf, 1985, pp. 1-5.
- [2] L. C. Hsieh, H. S. Yan, and L. I. Wu, "An algorithm for the automatic kinematic analysis of planetary gear trains by fundamental circuit method," Journal of the Chinese Society of Mechanical Engineers, vol. 10, no. 2, pp. 153-158, 1989.
- [3] C.H. Hsu, "An analytic methodology for the kinematic synthesis of epicyclic gear mechanisms," Journal of Mechanical Design, vol. 124, no.3, pp. 574-576, 2002.
- [4] M. C. Tsai and C. C. Huang, "Kinematic analysis of planetary gear systems using block diagrams," Journal of Mechanical Design, vol. 132, no. 6, 2010.
- [5] Y. C. Wu, P. W. Ren, and L. A. Chen, "Kinematic analysis of an 8-speed bicycle transmission hub," Applied Mechanics and Materials, vol. 479-480, pp. 234-238, 2014.
- [6] L. C Hsieh, J. Y. Liu, and M. H. Hsu, "Systematic design of south pointing chariots with planetary gear trains," Transaction of Canadian Society for Mechanical Engineering, vol. 20, no. 4, pp. 421-435, 1996.
- [7] L. C Hsieh, "An efficient method for the kinematic design of coupled gear differentials for automobiles," Journal of Applied Mechanisms and Robotics, vol. 4, no. 1, pp. 7-12, 1997.
- [8] W. M. Hwang and Y. L. Huang, "Configuration design of six-speed automatic transmissions with two-degree-of-freedom planetary gear trains," Transactions of the Canadian Society for Mechanical Engineering, vol. 29, no. 1, pp. 41-55, 2005.
- [9] L. C. Hsieh, H. S. Lee, and T. H. Chen, "An algorithm for the kinematic design of gear transmissions with high reduction ratio," Materials Science Forum, vol. 505-507, pp. 1003-1008, 2006.
- [10] L. C. Hsieh, and T. H. Chen, "The systematic design of multi-speed internal gear hub for a bicycle," Advanced Materials Research, vol. 199-200, pp. 431-435, 2011.
- [11] L. C. Hsieh, and H. C. Tang, "The kinematics of eight-speed planetary gear hubs for bicycles," Journal of Applied Mechanics and Materials, vol. 232, pp. 955-960, 2012.
- [12] L. C. Hsieh, H. C. Tang, T. H. Chen, and J. H. Gao, "The kinematic design of 2K type planetary gear reducers with high reduction ratio" Journal of Applied Mechanics and Materials, vol. 421, pp. 40-45, 2013.
- [13] Y. C. Wu and L. A. Chen, "Design of an 8-speed internal gear hub with a rotary control mechanism for bicycles," Tehnicki Vjesnik, vol. 22, no. 4, pp. 865-871, 2015.
- [14] G. White, "Derivation of high efficiency two-stage epicyclic gears," Mechanism and Machine Theory, vol. 38, no. 2, pp. 149-159, 2003.
- [15] C. Chen and J. Angeles, "Virtual power flow and mechanical gear mesh power losses of epicyclic gear trains," Journal of Mechanical Design, vol. 129, pp. 107-113, 2007.
- [16] L. C. Hsieh and T. H. Chen, "On the meshing efficiency of 3K-type planetary simple gear reducer," Journal of Advanced Science Letters, vol. 12, pp. 34-39, 2012.
- [17] L. C. Hsieh and T. H. Chen, "The kinematic and efficiency analysis of planetary gear trains with single train circuit," Information-An International Interdisciplinary Journal, vol. 16, pp. 7025-7032, 2013.
- [18] L. C. Hsieh and H. C. Tang, "On the meshing efficiency of 2K-2H type planetary gear," Journal of Advances in Mechanical Engineering, vol. 5, 2013.
- [19] Y. C. Wu, L. A. Chen and C. W. Chang, "Prediction of efficiency of an existing 14-speed bicycle internal drive hub," Journal of Mechanical Engineering, vol. 2, no. 8, pp. 266-273, 2014.
- [20] T. H. Chen, "The equation derivation and analysis of meshing efficiency for straight spur gear pair," Transactions of the Canadian Society for Mechanical Engineering, vol. 39, no. 3, pp. 467-477, 2015.
- [21] L. C. Hsieh, T. H. Chen, and H. C. Tang, "The design and meshing efficiency analysis of helical spur gear reducer with single gear pair for electric scooter," Transactions of the Canadian Society for Mechanical Engineering, vol. 39, no. 3, pp. 455-465, 2015.
- [22] L. C. Hsieh and T. H. Chen, "The engineering design and transmission efficiency verification of helical spur gear reducer with single gear pair," Transactions of the Canadian Society for Mechanical Engineering, vol. 40, no. 5, pp. 981-993, 2016.

